



# Hospitals & Healthcare

*Casters · Sockets · Brakes · Fastenings · Metro*

## About Garland's Inc

Established in Minneapolis, 1944, Garland's has been distributing casters, wheels, shelving, and a wide variety of other material handling products for seventy years. Our strength of service and dedication has allowed our continued growth through the economic hardships of the eighties, and the more recent recession of the 2000's. Our stability has allowed us to expand into markets in Iowa, Colorado, and Wisconsin; giving us the ability to provide greater service to the Midwest.

As one of the top caster distributors in the nation, Garland's Inc. brings the needs of our customers directly to the caster industry's forefront. Being a long standing member of the National Caster Alliance, Garlands Inc. has cultivated close relationships with some of the most prestigious manufacturers in the caster industry. In addition to the thousands of other manufacturers we offer, we proudly represent the entire line of Colson products: Colson, Albion, Shepherd, MedCaster, Jarvis, Faultless, and Pemco.

Our commitment to customer service ensures Garland's is the team member for your business, and its fast paced changing landscape. All our locations have state of the art shipping and receiving departments offering same day shipping, and blind shipments; guaranteeing your customers will always be your customers. Providing high quality products gives you the dependability and durable performance that you require, and deserve.

Garland's outside sales force provides efficient, concise, professional on-site assistance to meet your needs. Our sales representatives have years of hands-on experience turning unique issues into practical solutions. Your Garland's inside coordinator is just a call away. Each inside salesperson is prepared to help you with specifications, pricing and delivery information.

---

**We are committed to providing the highest caliber of service and quality products in our industry for our customers who rely on us for their material handling needs year after year.**

---



---

2501 26<sup>th</sup> Ave So | Minneapolis, MN 55406  
Toll free: 800.809.7888 Phone: 612.333.3469 | Fax: 612.333.3472  
[www.garlandsinc.com](http://www.garlandsinc.com)

**Garland's Inc.**  
Material Handling Products

# Regent Series



## Features

- Industry leading selection and overall value
- Fast deliveries for any order quantity
- High-strength & heat treated steel for increased durability and caster life
- Dual ball raceways
- RoHS compliant zinc plating for corrosion resistance
- Octagon washer on stem models for easy installation
- NSF approved (less thread guards)

## Applications

- Store fixtures
- Carts
- Institutional Equipment
- Food Service Equipment
- Furniture
- Janitorial Equipment
- Office Equipment
- Racks and storage Equipment
- Medical Equipment

## Options

- Brakes: available on all sizes
- Finishes: zinc plating standard; optional finishes available (see below)
- Fastenings & Wheels: additional fastening sizes and wheel options available. Consult your sales representative.



## Finish Options

Minimum Quantities Required



## Wheel Options



Polyolefin



Hard or Soft Rubber



Thermoplastic Rubber (TPR)



Polyurethane (TPU)



3" No-Matic



Vipor



MonoTech



5" Precision Bearing MonoTech

## Brake Options



**Side Brakes** for 2", 2-1/2" and 3" models. Add **[B]** at end of model.



**Top Lock Brakes** 3" and 4" diameter models. Add **[TL]** at end of model.



**Tread Lock Brakes** 4" and 5" models. Add **[B]** at end of model.



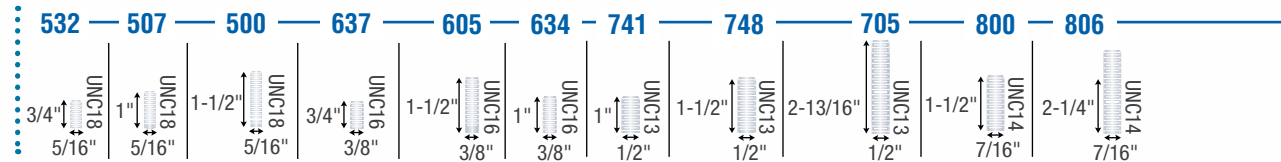
**Side Brakes** 4" and 5" models. Add **[SB]** at end of model.

# Regent Series Stem Models

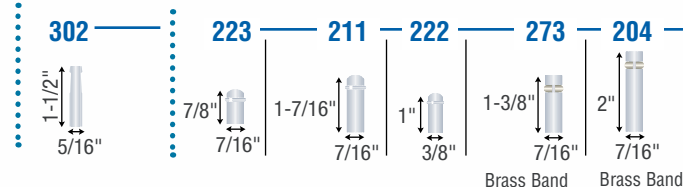


Wheel Diameter	Tread Width	Mounting Height	Swivel Radius	Tread Type	Dynamic Load (pounds)	Base Model Number (add fastening code)
2"	13/16"	2-5/8"	1-15/16" — Side Brake 2-1/8"	Soft Rubber	80	PRE20__ZN-3R
				Thermoplastic Rubber	80	PRE20__ZN-TPR
				Hard Rubber	90	PRE20__ZN-3H
				Polyurethane	90	PRE20__ZN-TPU
				Solid Wall Polyolefin	90	PRE20__ZN-3ES
				Vipor	90	PRE20__ZN-VPR01(CG)
2-1/2"	13/16"	3-1/8"	Swivel & Side Brake: 2-1/8"	Soft Rubber	80	PRE25__ZN-3R
				Thermoplastic Rubber	80	PRE25__ZN-TPR
				Hard Rubber	95	PRE25__ZN-3H
				Polyurethane	95	PRE25__ZN-TPU
				Polyolefin	95	PRE25__ZN-3E
3"	13/16"	3-1/2"	Swivel & Side Brake: 2-1/2" — Top Lock Brake: 3-5/16"	Soft Rubber	110	PRE30__ZN-3R
				Thermoplastic Rubber	110	PRE30__ZN-TPR
				No-Matic	110	PRE30__ZN-NOM
				Hard Rubber	120	PRE30__ZN-3H
				Polyurethane	120	PRE30__ZN-TPU
				Polyolefin	120	PRE30__ZN-3E
				MonoTech	120	PRE30__ZN-MNT
				Vipor	120	PRE30__ZN-VPR01(CG)
4"	15/16"	4-3/4"	3-7/16" — Side Brake: 3-1/2" — Top Lock Brake: 4-1/16"	Soft Rubber	125	PRE40__ZN-3R
				Thermoplastic Rubber	125	PRE40__ZN-TPR
				Hard Rubber	150	PRE40__ZN-3H
				Polyurethane	150	PRE40__ZN-TPU
				Polyolefin	150	PRE40__ZN-3E
				MonoTech	150	PRE40__ZN-MNT
				Soft Rubber	130	PRE50__ZN-3R
				Thermoplastic Rubber	130	PRE50__ZN-TPR
5"	15/16"	5-3/4"	Swivel & Brake: 4-1/8"	Hard Rubber	150	PRE50__ZN-3H
				Polyurethane	150	PRE50__ZN-TPU
				Polyolefin	150	PRE50__ZN-3E
				MonoTech	160	PRE50__ZN-MNT
				MonoTech Precision Bearing	160	PRE50__ZN-MNT33(GG)

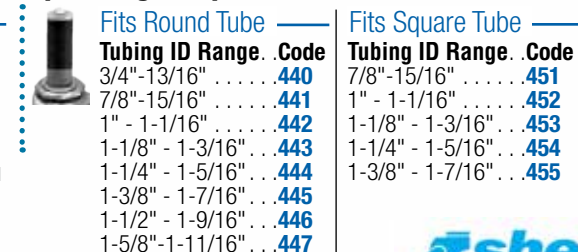
## Threaded Stem



## Grip Neck Grip Ring Stem



## Expanding Adapter Stem



# Regent Series Top Plate Models



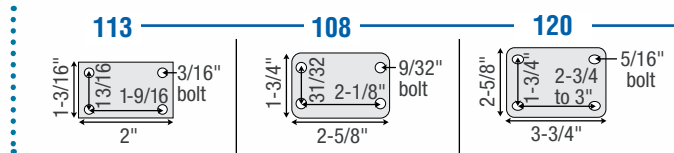
Swivel Top Plate



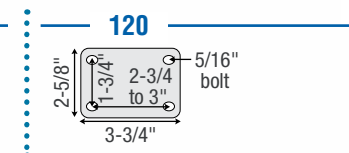
Rigid Top Plate

Wheel Diameter	Tread Width	Mounting Height	Swivel Radius	Tread Type	Dynamic Load (pounds)	Swivel Base Model Number (add fastening code)	Rigid Base Model Number
2"	13/16"	2-5/8"	1-15/16" — Side Brake 2-1/8"	Soft Rubber	80	PRE20__ZN-3R	
				Thermoplastic Rubber	80	PRE20__ZN-TPR	
				Hard Rubber	90	PRE20__ZN-3H	
				Polyurethane	90	PRE20__ZN-TPU	
				Solid Wall Polyolefin	90	PRE20__ZN-3ES	
				Vipor	90	PRE20__ZN-VPR01(CG)	
2-1/2"	13/16"	3-1/8"	Swivel & Side Brake: 2-1/8"	Soft Rubber	80	PRE25__ZN-3R	
				Thermoplastic Rubber	80	PRE25__ZN-TPR	
				Hard Rubber	95	PRE25__ZN-3H	
				Polyurethane	95	PRE25__ZN-TPU	
				Polyolefin	95	PRE25__ZN-3E	
3"	13/16"	3-1/2"	Swivel & Side Brake: 2-1/2" — Top Lock Brake: 3-5/16"	Soft Rubber	110	PRE30__ZN-3R	PRI30120ZN-3R
				Thermoplastic Rubber	110	PRE30__ZN-TPR	PRI30120ZN-TPR
				No-Matic	110	PRE30__ZN-NOM	PRI30120ZN-NOM
				Hard Rubber	120	PRE30__ZN-3H	PRI30120ZN-3H
				Polyurethane	120	PRE30__ZN-TPU	PRI30120ZN-TPU
				Polyolefin	120	PRE30__ZN-3E	PRI30120ZN-3E
				MonoTech	120	PRE30__ZN-MNT	PRI30120ZN-MNT
				Vipor	120	PRE30__ZN-VPR01(CG)	PRI30120ZN-VPR01(CG)
4"	15/16"	4-3/4"	3-7/16" — Side Brake: 3-1/2" — Top Lock Brake: 4-1/16"	Soft Rubber	125	PRE40__ZN-3R	PRI40120ZN-3R
				Thermoplastic Rubber	125	PRE40__ZN-TPR	PRI40120ZN-TPR
				Hard Rubber	150	PRE40__ZN-3H	PRI40120ZN-3H
				Polyurethane	150	PRE40__ZN-TPU	PRI40120ZN-TPU
				Polyolefin	150	PRE40__ZN-3E	PRI40120ZN-3E
				MonoTech	150	PRE40__ZN-MNT	PRI40120ZN-MNT
5"	15/16"	5-3/4"	Swivel & Brake: 4-1/8"	Soft Rubber	130	PRE50__ZN-3R	PRI50120ZN-3R
				Thermoplastic Rubber	130	PRE50__ZN-TPR	PRI50120ZN-TPR
				Hard Rubber	150	PRE50__ZN-3H	PRI50120ZN-3H
				Polyurethane	150	PRE50__ZN-TPU	PRI50120ZN-TPU
				Polyolefin	150	PRE50__ZN-3E	PRI50120ZN-3E
				MonoTech	160	PRE50__ZN-MNT	PRI50120ZN-MNT
				MonoTech Precision Bearing	160	PRE50__ZN-MNT33(GG)	PRI50120ZN-MNT33(GG)

## Swivel Top Plate



## Rigid Top Plate



# Next Generation Nylon Series



## Features

- Maintenance free
- Sealed precision bearing raceway, smooth and quiet
- Wheels feature sealed precision ball bearings and full thread guards
- Resistant to most chemicals
- Zinc plated top plate
- Recessed axle with plastic cap covers



## Options

- Total Lock Brake models lock both swivel and wheel
- Directional lock models lock swivel only (helps with steering)
- Optional fastenings available by special order.
- Optional colors available

## Applications

- Laboratory Equipment
- IV Stands
- Mobile Computer Stands
- Medical Equipment
- Medical Furniture

## Wheel Options



QuikStart TPR



Anti-Microbial TPR



Santoprene



Custom Color Options



**Next Generation Stainless**  
304 stainless steel top plates and components for better corrosion protection. Change NG to NS in model number.



**Next Generation Antistatic**  
Helps minimize the risk of electrostatic discharge. Change NG to NA in model number.



**Next Generation Non-Magnetic**  
Components are made of non-magnetic plastic and metals. Change NG to NM in model number.



**Total Lock**  
brakes lock wheel and swivel



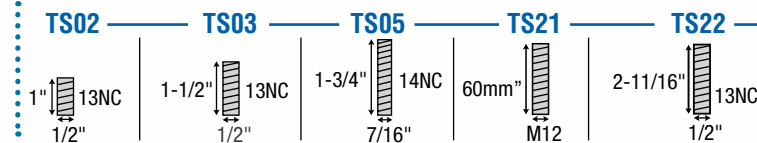
**Directional Lock**  
brakes lock swivel only for easier steering. Change TL to DL in model number.



## Next Generation Nylon Models

Wheel Diameter	Tread Width	Mounting Height	Swivel Radius	Tread Type	Wheel Bearing	Dynamic Load (pounds)	Swivel Base Model Number (add fastening code)	Total Lock Model Number (add fastening code)
3"	1-1/4"	Stem: 4-7/32" — Plate: 4-1/4"	2-13/16" — Brake: 3-3/4"	QuikStart TPR	Precision Ball	200	NG-03QDP-125-SW-__	NG-03QDP-125-TL-__
				QuikStart TPR	Plain	200	NG-03QDO-125-SW-__	NG-03QDO-125-TL-__
				Anti-Microbial TPR	Precision Ball	200	NG-03AMP-125-SW-__	NG-03AMP-125-TL-__
4"	1-1/4"	Stem: 5-13/32" Plate: 5-3/4"	3-7/16" — Brake: 4-7/8"	QuikStart TPR	Precision Ball	275	NG-04QDP-125-SW-__	NG-04QDP-125-TL-__
				Anti-Microbial TPR	Precision Ball	275	NG-04AMP-125-SW-__	NG-04AMP-125-TL-__
5"	1-1/4"	Stem: 6-1/2" — Plate: 6-7/8"	4" — Brake: 4-7/16"	Santoprene	Precision Ball	260	NG-05RPP-125-SW-__	NG-05RPP-125-TL-__
				QuikStart TPR	Precision Ball	300	NG-05QDP-125-SW-__	NG-05QDP-125-TL-__
				Anti-Microbial TPR	Precision Ball	300	NG-05AMP-125-SW-__	NG-05AMP-125-TL-__
6"	1-1/4"	Stem: 7-1/2" — Plate: 7-11/16"	4-9/16"	QuikStart TPR	Precision Ball	300	NG-06QDP-125-SW-__	NG-06QDP-125-TL-__
				QuikStart TPR	Plain	300	NG-06QDO-125-SW-__	NG-06QDO-125-TL-__
				Anti-Microbial TPR	Precision	300	NG-06AMP-125-SW-__	NG-06AMP-125-TL-__

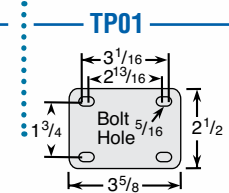
### Threaded



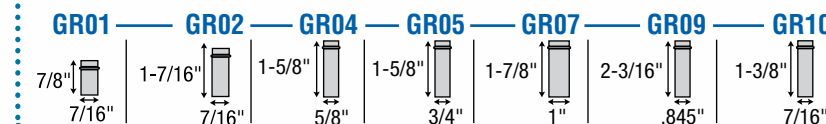
### Hollow Kingpin



### Top Plate



### Grip Ring

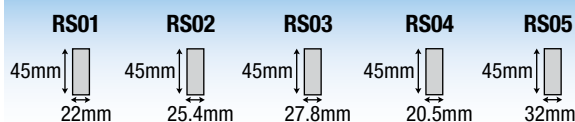


**Rigid Model**  
Available for 3", 5" and 6" diameter wheels.  
Change SW to RG.



**Rigid Brake Model**  
Available on 5" models. Change TL to RB.

### ROUND STEM FITTINGS



# Omega Series



## Features

- Precision ball bearing wheels for smooth, quiet, and easy rollability
- Fully heat treated
- Dual ball bearing raceways
- High luster chrome or black finish
- Matching thread guards

## Applications

- Furniture
- IV Poles
- Seating
- Medical Equipment
- Electronic Equipment

## Options

- Brakes: Tread brake uniformly integrated into body design for smooth look and ease of activation. Add B to end of model.
- Bolt-In Stems: available for 403 hallow kingpin models.

## MonoTech Facts

1. Provides ultimate floor protection and a quiet, cushioned ride.
2. Rolls over obstacles with ease.
3. Will not flat spot and is excellent on any floor type.
4. Rejects floor debris, including metal shavings and glass.

## Wheel Options



Vipor

NPR

MonoTech

## Finish Options

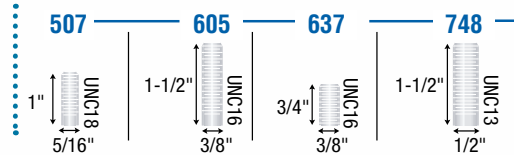


Bright Chrome

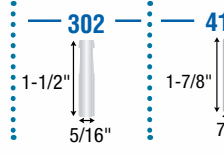
Black

Wheel Diameter	Tread Width	Mounting Height	Swivel Radius	Tread Type	Finish	Dynamic Load (pounds)	Base Model Number (add fastening code)
2"	15/16"	2-3/4"	2" — Brake: 2-1/2"	Neoprene	Bright Chrome	75	POM20__BC-NPR
				MonoTech	Bright Chrome	110	POM30__BC-MNT
3"	15/16"	3-7/8"	2-7/8" — Brake: 3-1/8"	MonoTech	Black	110	POM30__BC-MNT
				Neoprene	Bright Chrome	110	POM30__BC-NPR
				Vipor	Bright Chrome	120	POM20__BC-VPR33(CK)

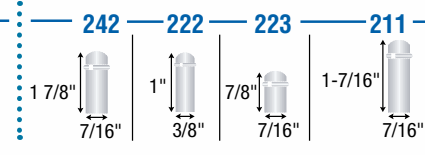
## Threaded Stem



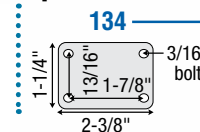
## Grip Neck Round



## Grip Ring



## Top Plate



## Hollow Kingpin





# Softech Series



## Features

- Soft 70-75/A durometer tread constructed of high-tech thermoplastic elastomer
- High Load Ratings
- Quiet mobility
- Riveted axle for positive wheel retention

## Options

- Brake available for all models

## Applications

- Store Fixtures
- Electronic Equipment
- Audio/Visual Equipment
- Medical Equipment
- Furniture



## Special Options



Softech MRI Conditional

Softech EZ-Clean

## Finish Options

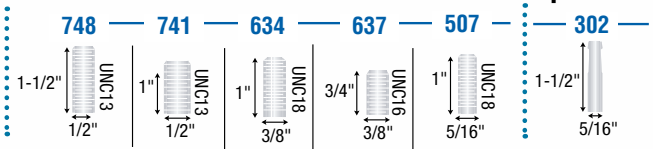


Black

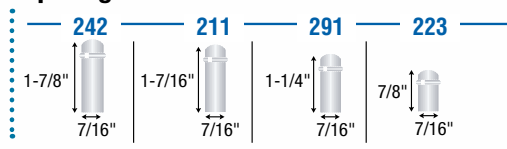
Grey

Wheel Diameter	Mounting Height	Swivel Radius	Tread Material	Finish Type	Dynamic Load (pounds)	Base Model # (add fastening code)	Brake Base Model # (add fastening code)
50mm	Stem: 2-1/4" — Plate: 2-3/8"	1-13/16" — Brake: 2-3/8"	Thermoplastic Elastomer	Black Body/Black Tread	75	PSF50__BK	PSF50__BK-B
				Grey Body/Dark Grey Tread	75	PSF50__GR	PSF50__GR-B
60mm	Stem: 2-5/8" — Plate: 2-3/4"	2-1/16" — Brake: 2-1/2"	Thermoplastic Elastomer	Black Body/Black Tread	100	PSF60__BK	PSF60__BK-B
				Grey Body/Dark Grey Tread	100	PSF60__GR	PSF60__GR-B
75mm	Threaded: 3-1/4" — Grip Neck/Ring: 3-3/16" — Plate: 3-1/2"	2-1/2" — Brake: 3-3/16"	Thermoplastic Elastomer	Black Body/Black Tread	165	PSF75__BK	PSF75__BK-B
				Grey Body/Dark Grey Tread	165	PSF75__GR	PSF75__GR-B
100mm	Threaded: 4-3/8" — Grip Neck/Ring: 4-5/16" — Plate: 4-5/8"	3-5/8" — Brake: 4-1/2"	Thermoplastic Elastomer	Black Body/Black Tread	225	PSF100__BK	PSF100__BK-B
				Grey Body/Dark Grey Tread	225	PSF100__GR	PSF100__GR-B
125mm	Threaded: 5-7/16" — Grip Neck/Ring: 5-5/16" — Plate: 5-5/8"	4-1/2" — Brake: 5-1/8"	Thermoplastic Elastomer	Black Body/Black Tread	225	PSF125__BK	PSF125__BK-B
				Grey Body/Dark Grey Tread	225	PSF125__GR	PSF125__GR-B

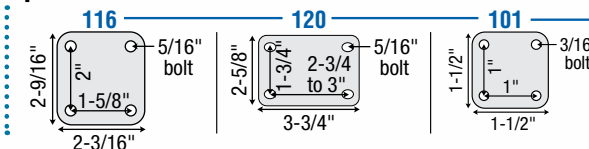
### Threaded Stem



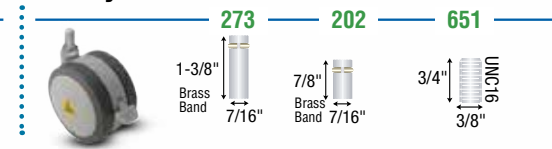
### Grip Neck Grip Ring Stem



### Top Plate



### MRI Only Stems



Available on 50mm, 60mm, and 75mm models only. To order, add in special **MRI** fastening code plus **[-MR]** to end of model number for swivels, and **[-MRB]** for brake models. Examples: PSF50651GR-**MR** and PSF50651GR-**MRB**.



# Twin-Med Grey Series



## Features

- Undercover protection
- Designed to protect axle/bearing areas from hair/water
- Wheels feature precision ball bearings for quieter smoother operation
- Softer quieter TPR tread design
- Double ball bearing located in the swivel raceway on 4" models
- 5" models feature a sealed precision bearing in the raceway
- Wheels have easy rollability

## Applications

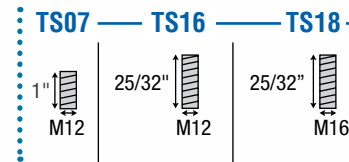
- Diagnostic Equipment
- Electronic Equipment
- Patient Aids
- Patient Lifts
- Nursing Home Beds
- Medical Carts

## Options

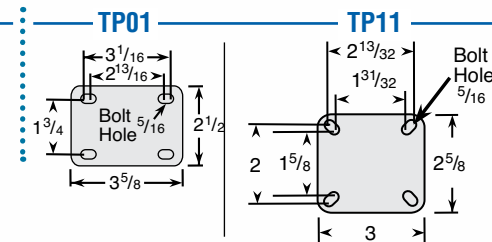
- Total Lock models lock both the wheel and swivel
- Directional Lock (locks swivel) models are available.
- Antistatic models available

Wheel Diameter	Tread Width	Mounting Height	Swivel Radius	Tread Type	Wheel Bearing	Dynamic Load (pounds)	Base Model Number (add fastening code)	Total Lock Brake Model Number (add fastening code)
4"	2-39/64"	Stem: 5" — Plate: 5-3/8"	3-1/8"	TPR	Precision Ball	220	TG-04TPP-281-SW-__	TG-04TPP-281-TL-__
5"	3"	Stem: 6" — Plate: 6-3/8"	4"	TPR	Precision Ball	246	TG-05TPP-281-SW-__	TG-05TPP-281-TL-__

### Threaded Stem



### Plate



Undercover shield for ultimate protection

# Chrome Hospital (CH) Series

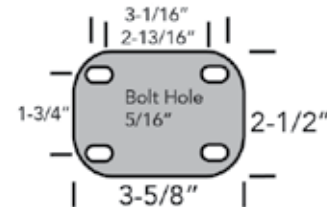


## Features

- Chrome plated finish
- Dual ball swivel raceways for added strength
- Total lock brake models lock both swivel and wheel
- Directional lock models lock swivel only (helps with steering)
- Precision ball bearings in wheels for easier rollability
- Wheels have full thread guards for added protection

## Applications

- Food Service
- Case Carts
- Utility Carts
- Hospital Equipment
- Store Fixtures
- Medical Equipment



## Top Plate Models

Wheel Diameter	Tread Width	Tread Type	Load Capacity	Load Height	Swivel Radius	Bearing Type	Model Number
4"	1-1/4"	Thermoplastic Rubber	240 lbs	5-7/16"	3-37/64"	Precision Ball	CH04TPP-125-SW-TP01
					4-35/64"		CH04TPP-125-TL-TP01
					4-35/64"		CH04TPP-125-DL-TP01
5"	1-1/4"	Thermoplastic Rubber	260 lbs	6-7/16"	4-7/32"	Precision Ball	CH05TPP-125-SW-TP01
					4-55/64"		CH05TPP-125-TL-TP01
					4-55/64"		CH05TPP-125-DL-TP01

SW = Swivel

TL = Total Lock Brake (Red sticker on pedal)

DL = Direction Lock Brake (Green sticker on pedal)



Chrome thread guards available. Add "-CTG" to end of model number.



## Hollow Kingpin Models

Wheel Diameter	Tread Width	Tread Type	Load Capacity	Load Height	Swivel Radius	Bearing Type	Model Number
4"	1-1/4"	Thermoplastic Rubber	240 lbs	5-5/16"	3-37/64"	Precision Ball	CH04TPP-125-SW-HKU1
					4-35/64"		CH04TPP-125-TL-HKU1
					4-35/64"		CH04TPP-125-DL-HKU1
5"	1-1/4"	Thermoplastic Rubber	260 lbs	6-5/16"	4-7/32"	Precision Ball	CH05TPP-125-SW-HKU1
					4-55/64"		CH05TPP-125-TL-HKU1
					4-55/64"		CH05TPP-125-DL-HKU1

# Chrome Hospital (CH) Series Continued



## Grip Ring and Expanding Adapter Stem Models

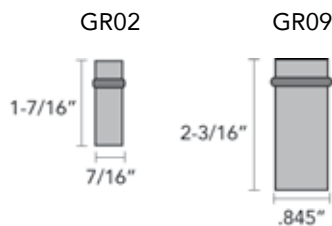
Wheel Diameter	Tread Width	Tread Type	Load Capacity	Load Height	Swivel Radius	Bearing Type	Model Number (add fastening code)
4"	1-1/4"	Thermoplastic Rubber	240 lbs	5-5/16"	3-37/64"	Precision Ball	CH04TPP-125-SW-__
					4-35/64"		CH04TPP-125-TL-__
5"	1-1/4"	Thermoplastic Rubber	260 lbs	6-5/16"	4-7/32"	Precision Ball	CH05TPP-125-SW-__
					4-55/64"		CH05TPP-125-TL-__

SW = Swivel

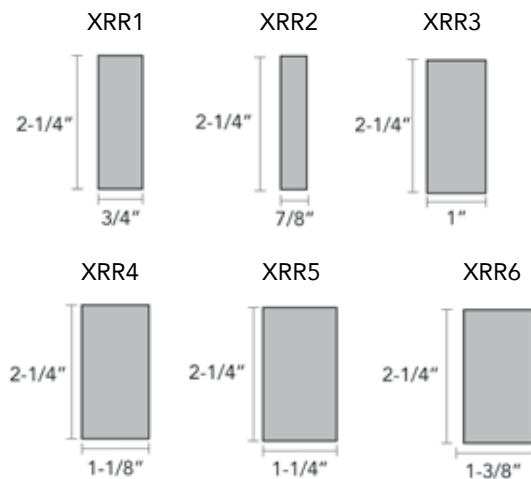
TL = Total Lock Brake (Red sticker on pedal)

## Fastening Options

### Grip Ring



### Expanding Adapter - Rubber



Chrome thread guards available. Add "-CTG" to end of model number.





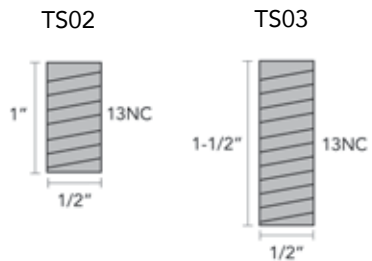
## Threaded Stem Models

Wheel Diameter	Tread Width	Tread Type	Load Capacity	Load Height	Swivel Radius	Bearing Type	Model Number (add fastening code)
<b>4"</b>	1-1/4"	Thermoplastic Rubber	240 lbs	5-5/16"	3-37/64"	Precision Ball	CH04TPP-125-SW-___
					4-35/64"		CH04TPP-125-TL-___
<b>5"</b>	1-1/4"	Thermoplastic Rubber	260 lbs	6-5/16"	4-7/32"	Precision Ball	CH05TPP-125-SW-___
					4-55/64"		CH05TPP-125-TL-___

SW = Swivel

TL = Total Lock Brake (Red sticker on pedal)

## Fastening Options



Chrome thread guards available. Add "-CTG" to end of model number.

# 2 Series Plate Casters



## Standard Features:

- Zinc plated finish is attractive and durable
- Full double ball hardened raceways for better performance and greater durability
- 3/8" hollow axle with lock nut
- Grease holes on wheel bearing for greater convenience

## Wheel Selection

Performa Flat Tread



Performa Round Tread



Performa Conductive Flat



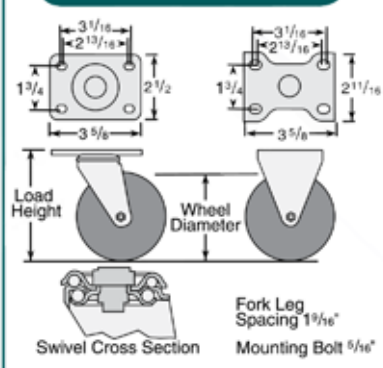
Performa Conductive Round



Polyurethane HI-TECH

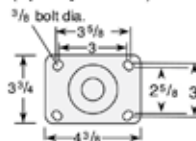


## Standard Dimensions

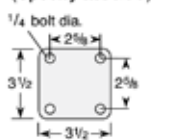


## Optional Top Plates

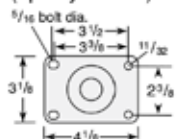
# 27 Top Plate (Swivel)  
(Specify MTG27)



# 35 Top Plate (Swivel)  
(Specify MTG35)



# 59 Top Plate (Swivel)  
(Specify MTG59)



## Caster Brake



### Top Lock

Available on all swivel models with solid axle only. Field installable (Specify BRK1).



### Total Lock

Locks wheel and swivel simultaneously. Fits 3-1/2", 4", and 5" swivel models. Field installable (Specify BRK5).



### Directional Lock

Available with standard top plate only. For optional top plates, consult factory. To order with caster, change 4th digit to "1" (Example: 2.05156.91).

Note: No Dust Cap Available

## Fork Option

### NSF Listed

All models except thread guards and cast iron wheels. (Specify FSI).

### Swivel Dust Cap

Specify DC1

### Axle/Nut Options

AX1 Zerk axle (not available with top lock brake)

AX2 Solid axle

NT1 Thick lock nut

## Wheel Option

### Thread Guards

Available on many models. Specify TG1 for metal or TG2 for plastic.





Wheel Diameter	Tread Width	Load Capacity (pounds)	Wheel Material	Bearing	Load Height	Swivel Radius	Swivel Part Number	Rigid Part Number
<b>2-1/2"</b>	1-1/4"	125	Performa Rubber, Conductive, Flat	ball	3-7/8"	2-13/32"	2.02256.445 COND	2.02208.445 COND
		125	Performa Rubber, Flat	delrin	3-7/8"	2-13/32"	2.02256.441	2.02208.441
		125	Performa Rubber, Flat	ball	3-7/8"	2-13/32"	2.02256.445	2.02208.445
		250	Polyurethane HI-TECH	delrin	3-7/8"	2-13/32"	2.02256.91	2.02208.91
		250	Polyurethane HI-TECH	ball	3-7/8"	2-13/32"	2.02256.95	2.02208.95
<b>3"</b>	1-1/4"	200	Polyurethane HI-TECH	plain	4-1/8"	2-21/32"	2.03356.92	2.03308.92
<b>3-1/2"</b>	1-5/16"	210	Performa Rubber, Conductive, Round	ball	4-11/16"	2-29/32"	2.03256.565 COND	2.03208.565 COND
		210	Performa Rubber, Round	delrin	4-11/16"	2-29/32"	2.03256.561	2.03208.561
		210	Performa Rubber, Round	ball	4-11/16"	2-29/32"	2.03256.565	2.03208.565
	1-1/4"	225	Performa Rubber, Conductive, Flat	ball	4-11/16"	2-29/32"	2.03256.445 COND	2.03208.445 COND
		250	Performa Rubber, Flat	delrin	4-11/16"	2-29/32"	2.03256.441	2.03208.441
		250	Performa Rubber, Flat	ball	4-11/16"	2-29/32"	2.03256.445	2.03208.445
		250	Polyurethane HI-TECH	delrin	4-11/16"	2-29/32"	2.03256.91	2.03208.91
		250	Polyurethane HI-TECH	ball	4-11/16"	2-29/32"	2.03256.95	2.03208.95
<b>4"</b>	1-1/4"	250	Performa Rubber, Conductive, Flat	ball	5-1/8"	3-7/32"	2.04256.445 COND	2.04208.445 COND
		275	Polyurethane HI-TECH	delrin	5-1/8"	3-7/32"	2.04256.91	2.04208.91
		275	Polyurethane HI-TECH	ball	5-1/8"	3-7/32"	2.04256.95	2.04208.95
		300	Performa Rubber, Flat	delrin	5-1/8"	3-7/32"	2.04256.441	2.04208.441
		300	Performa Rubber, Flat	ball	5-1/8"	3-7/32"	2.04256.445	2.04208.445
<b>5"</b>	1-1/4"	250	Performa Rubber, Conductive, Flat	ball	6-3/16"	3-13/16"	2.05256.445 COND	2.05208.445 COND
	1-5/16"	250	Performa Rubber, Conductive, Round	ball	6-3/16"	3-13/16"	2.05256.565 COND	2.05208.565 COND
		250	Performa Rubber, Round	delrin	6-3/16"	3-13/16"	2.05256.561	2.05208.561
		250	Performa Rubber, Round	ball	6-3/16"	3-13/16"	2.05256.565	2.05208.565
	1-1/4"	300	Polyurethane HI-TECH	delrin	6-3/16"	3-13/16"	2.05256.91	2.05208.91
		300	Polyurethane HI-TECH	ball	6-3/16"	3-13/16"	2.05256.95	2.05208.95
		325	Performa Rubber, Flat	delrin	6-3/16"	3-13/16"	2.05256.441	2.05208.441
		325	Performa Rubber, Flat	ball	6-3/16"	3-13/16"	2.05256.445	2.05208.445



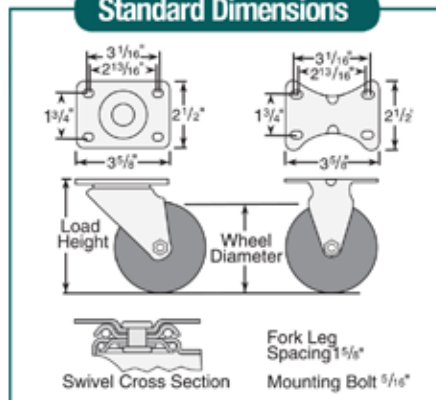
# 2 Series Stainless Steel Plate Casters



### Features:

- Polished 304 grade stainless steel construction handles the most punishing, corrosive conditions
- Double ball raceways for better performance and greater durability
- All component parts, including spanner bushing, axle and nut are stainless steel
- Designed to perform in the most hostile environments
- If rust is a problem, Colson stainless steel is the solution

### Standard Dimensions



### Fork Option

**NSF Listed for Food Service Industry**  
Available on all models. Specify **FSI**.

### Forks Only

To order caster forks only use 1st 6 digits of model numbers (Example: 2.33456).

### Caster Brake



#### Top Lock

Available on all 3" swivel models. Not recommended for high temp applications. Field installable (Specify **BRK1**).



#### Tech Lock

Available on 4" and 5" swivel models. Field installable (Specify **BRK2**).



#### Total Lock

Riveted design is not field installable. Locks wheel and swivel. Available on all swivel models (Specify **BRK4**).



## Wheel Selection



Wheel Diameter	Tread Width	Load Capacity (pounds)	Wheel Material	Bearing	Load Height	Swivel Radius	Swivel Part Number	Rigid Part Number
3"	1-1/4"	200	Polyurethane HI-TECH	plain	4-1/8"	3-1/8"	2.33456.944	2.33408.944
3-1/2"	1-1/4"	250	Polyurethane HI-TECH	delrin	4-11/16"	3-3/8"	2.03456.944	2.03408.944
		250	Performa Rubber, Flat	delrin	4-11/16"	3-3/8"	2.03456.444	2.03408.444
	1-5/16"	210	Performa Rubber, Round	delrin	4-11/16"	3-3/8"	2.03456.564	2.03408.564
4"	1-1/4"	275	Polyurethane HI-TECH	delrin	5-1/8"	3-5/16"	2.04456.944	2.04408.944
		300	Performa Rubber, Flat	delrin	5-1/8"	3-5/16"	2.04456.444	2.04408.444
5"	1-1/4"	300	Polyurethane HI-TECH	delrin	6-3/16"	4-1/16"	2.05456.944	2.05408.944
		325	Performa Rubber, Flat	delrin	6-3/16"	4-1/16"	2.05456.444	2.05408.444
		250	Performa Rubber, Round	delrin	6-3/16"	4-1/16"	2.5456.564	2.05408.564



# 4 Series Plate Casters



## Standard Features:

- Attractive zinc plated finish
- Full double ball hardened raceways
- 1/2" hollow axle with grease zerck and lock nut
- Plastic seal/retainer washer (roller bearing models)
- 1/4" steel top plate for durability
- Permanent rivet kingpin with 5/8" diameter rivet
- Grease fittings: wheel bearing and swivel raceway

## Caster Brake



**Tread Lock**  
Available on all swivel casters except 3-1/4" diameter models. (Specify **BRK1**).



**Tech Lock®**  
Available on all swivel casters except 3-1/4" diameter and Swivel Lock models. 6" rigid model available (Specify **BRK2**).



**Side Lock**  
Available on all swivel roller bearing or one piece Delrin models except 3-1/4" diameter. (Specify **BRK3**).

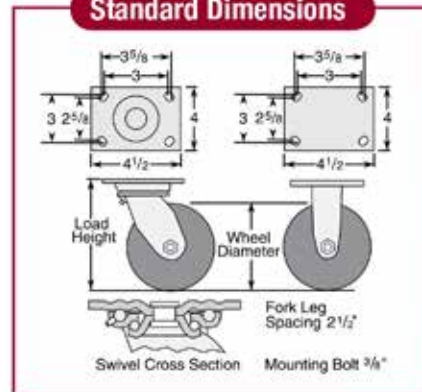


**Total Lock**  
Available on 4", 5", 6", & 8" models except 3-1/4" diameter (Specify **BRK4**).

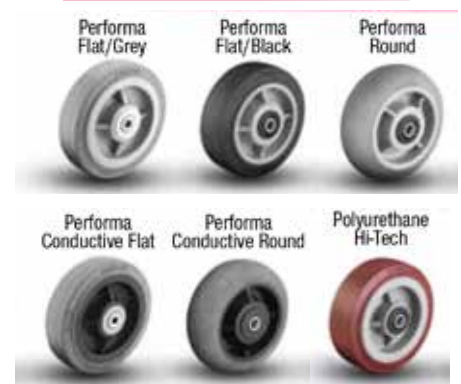


**Top Lock**  
Available on 4", 5", 6", and 8" swivel models (Specify **BRK7**).

## Standard Dimensions

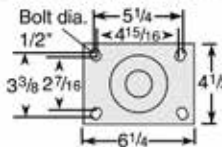


## Wheel Selection

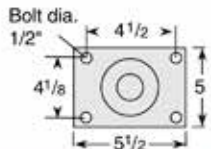


## Optional Top Plates

### #2 Top Plate (Specify MTG2).



### #4 Top Plate (Specify MTG4).



Wheel Diameter	Tread Width	Load Capacity (pounds)	Wheel Material	Bearing	Load Height	Swivel Radius	Swivel Part Number	Rigid Part Number
4"	2"	400	Performa Rubber, Flat, Black	roller	5-5/8"	3-9/16"	4.04109.459 COND	4.04108.459 COND
		400	Performa Rubber, Flat, Grey	roller	5-5/8"	3-9/16"	4.04109.459.2	4.04108.459.2
		400	Performa Rubber, Round	roller	5-5/8"	3-9/16"	4.04109.459	4.04108.459
		600	Polyurethane HI-TECH	roller	5-5/8"	3-9/16"	4.04109.929	4.04108.929
5"	2"	325	Performa Rubber, Flat, Conductive	roller	6-1/2"	4-1/4"	4.05109.459 COND	4.05108.459 COND
		500	Performa Rubber, Flat, Black	roller	6-1/2"	4-1/4"	4.05109.459.2	4.05108.459.2
		500	Performa Rubber, Flat, Grey	roller	6-1/2"	4-1/4"	4.05109.459	4.05108.459
		750	Polyurethane HI-TECH	roller	6-1/2"	4-1/4"	4.05109.929	4.05108.929
6"	2"	410	Performa Rubber, Flat, Conductive	roller	7-1/2"	5"	4.06109.459 COND	4.06108.459 COND
		410	Performa Rubber, Round, Conductive	roller	7-1/2"	5"	4.06109.559 COND	4.06108.559 COND
		450	Performa Rubber, Round	roller	7-1/2"	5"	4.06109.559	4.06108.559
		600	Performa Rubber, Flat, Black	roller	7-1/2"	5"	4.06109.459.2	4.06108.459.2
		600	Performa Rubber, Flat, Grey	roller	7-1/2"	5"	4.06109.459	4.06108.459
		900	Polyurethane HI-TECH	roller	7-1/2"	5"	4.06109.929	4.06108.929
8"	2"	500	Performa Rubber, Flat, Conductive	roller	9-1/2"	6-1/2"	4.08199.459 COND	4.08198.459 COND
		500	Performa Rubber, Round, Conductive	roller	9-1/2"	6-1/2"	4.08199.559 COND	4.08198.559 COND
		600	Performa Rubber, Round, Grey	roller	9-1/2"	6-1/2"	4.08199.559	4.08198.556
		675	Performa Rubber, Flat, Black	roller	9-1/2"	6-1/2"	4.08199.459.2	4.08198.459.2
		675	Performa Rubber, Flat, Grey	roller	9-1/2"	6-1/2"	4.08199.459	4.08198.459
		1000	Polyurethane HI-TECH	roller	9-1/2"	6-1/2"	4.08199.929	4.08198.929



# Sockets

## Round Tube Sockets

Socket Number	Material	Tubing Gauge	Socket O.D.	Tubing I.D. (Diameter)	Compatible Grip Ring/Neck fastening	Part Number
---------------	----------	--------------	-------------	------------------------	-------------------------------------	-------------

### Light Duty

PSR0916BR-PE (5/16)	Plastic (brown)	9/16", 16 Ga.	.450	.433	302	003027
---------------------	-----------------	---------------	------	------	-----	--------

### Heavy Duty

PSR0916BR-PE (5/16)	Polyurethane (black)	1" -16 Ga.	.894	.870	223, 211, 291, 273	002460
PSR1618BK-PE (7/16)	Polyurethane (black)	1" -18 Ga.	.924	.902	223, 211, 291, 273	002473
P123	Polyurethane (grey)	1-1/16" -13 Ga.	.894	.872	223, 211, 291, 273	43446
RT123RD	Reinforced Thermoplastic	1-1/16" -13 Ga.	.877	.872	223, 211, 291, 273	43401
RT125RD	Reinforced Thermoplastic	1" -18 Ga.	.907	.902	223, 211, 291, 273	43403
RT127RD	Reinforced Thermoplastic	1-1/4" -16 Ga.	1.125	1.12	223, 211, 291, 273	43405

### Heavy Duty Metal

PSR2616ZN-ST(7/19)	Metal	1-5/8" -16 Ga.	-	1.505	211, 273, 291	002512
--------------------	-------	----------------	---	-------	---------------	--------

## Square Tube Sockets

Socket Number	Material	Tubing Gauge	Socket O.D.	Tubing I.D. (Diameter)	Compatible Grip Ring/Neck fastening	Part Number
---------------	----------	--------------	-------------	------------------------	-------------------------------------	-------------

### Light Duty

PSS1220WH-PE (5/16)	Plastic (white)	3/4" -20 Ga.	.695	.678	302	002500
PSS1616WH-PE (5/16)	Plastic (white)	1" -16 Ga.	.890	.880	302	002492

### Heavy Duty

PSS1618BK-RT	Glass Filled Nylon	1" -18 Ga.	.916	.902	223, 211, 291, 273	001640
RT620SQ	Reinforced Thermoplastic	3/4" -16 Ga.	.620	.62	223, 211, 291, 273	43531
EW4689SQ	Polyurethane	1" -16 Ga.	.917	.87	223, 211, 291, 273	43484
RT880SQ	Reinforced Thermoplastic	1-1/32" .080 Wall	.892	.88	223, 211, 291, 273	43507
ER4983SQ	Reinforced Thermoplastic	1" -18 Ga.	.900	.902	223, 211, 291, 273	43491
RT1150SQ	Reinforced Thermoplastic	1-1/4" -16 Ga.	1.157	1.152	223, 211, 291, 273	43521
RT1400SQ	Reinforced Thermoplastic	1-1/2" -18 Ga.	1.407	1.402	223, 211, 291, 273	43519

### Heavy Duty Metal

PS2016ZN-ST (7/16)	Metal	1-1/4" -16 Ga.	-	1.13	211, 273, 291	002513
--------------------	-------	----------------	---	------	---------------	--------





## Plastic Socket

Socket Number	Material	Tubing Gauge	Socket O.D.	Tube I.D.	Compatible Grip Ring/Neck fastening	Part Number
PSR1213WH-PE (7/16)	Plastic (white)	3/4", .083 wall	.595"	.584"	223, 211, 291, 273	002515
GA-707	Plastic	18 gauge	.625"	.5"	223, 211, 291, 273	43483



## PVC Socket

Socket Number	Material	Tubing Gauge	Socket O.D.	Tube I.D.	Compatible Grip Ring/Neck fastening	Part Number
PSR832WH-PVC (7/16)	PVC (white)	Schedule 40 PVC Pipe	1.663	.433	211, 273	002717



## Corner Brackets

Socket Number	Material	Overall Height	Hole Diameter	Compatibility Grip Ring/Neck fastening	Part Number
90° w/ 11/32" Holes and Tabs	Unplated Steel	1-1/2"	11/32"	223, 211, 291, 273	003313-20
180° w/ 11/32" Holes and Tabs	Unplated Steel	1-1/2"	11/32"	223, 211, 291, 273	003312-20



## Crutch/Leg Tips

Material	Size	Part Number
Rubber, off-white	3/8"	RT03WH (3800)
Rubber, off-white	1/2"	RT04WH (9751)
Rubber, off-white	5/8"	RT05WH (9752)
Rubber, off-white	3/4"	RT06WH (9753)
Rubber, black	5/8"	RT05BK (9759)
Rubber, black	3/4"	RT06BK (9760)
Rubber, black	1"	RT08BK (3788)
Rubber, black	1-1/8"	RT09BK (9763)
Rubber, off-white	7/8"	9754
Rubber, off-white	1"	9755
Rubber, off-white	1-1/8"	9756
Rubber, black	7/8"	9761
Rubber, black	1-1/4"	9746
Rubber, black	7/8"	CT19BLACK





Wire Shelves — 10.01a 10.10a

Packaging: Wire shelves are priced individually and packaged no more than 4 per carton except 60" (1524mm) and 72" (1829mm) lengths and 30" (760mm) and 36" (914mm) widths, which are packaged no more than 2 per carton. Plastic sleeves and wedges are included with each shelf.

Width/Length (in.)	Width/Length (mm)	Approx. Pkd. Wt. (lbs.)	Approx. Pkd. Wt. (kg)	Cat. No. Super Erecta Brite	Cat. No. Chrome	Cat. No. Metroseal 3 with Microban®	Cat. No. Stainless
14x24	355x610	6	2.7	1424BR	1424NC	1424NK3	1424NS
14x30	355x760	7	3.2	1430BR	1430NC	1430NK3	1430NS
14x36	355x914	8	3.6	1436BR	1436NC	1436NK3	1436NS
14x42	355x1066	9½	4.3	1442BR	1442NC	1442NK3	1442NS
14x48	355x1219	10½	4.7	1448BR	1448NC	1448NK3	1448NS
14x60	355x1524	14	6.3	1460BR	1460NC	1460NK3	1460NS
14x72	355x1829	17	7.7	1472BR	1472NC	1472NK3	1472NS
18x18	457x457	6	2.7	N/A	1818NC	N/A	N/A
18x24	457x610	7	3.2	1824BR	1824NC	1824NK3	1824NS
18x30	457x760	8	3.6	1830BR	1830NC	1830NK3	1830NS
18x36	457x914	9½	4.3	1836BR	1836NC	1836NK3	1836NS
18x42	457x1066	11	5.0	1842BR	1842NC	1842NK3	1842NS
18x48	457x1219	12	5.4	1848BR	1848NC	1848NK3	1848NS
18x54	457x1370	14½	6.6	1854BR	1854NC	1854NK3	1854NS
18x60	457x1524	17	7.7	1860BR	1860NC	1860NK3	1860NS
18x72	457x1829	20	9.1	1872BR	1872NC	1872NK3	1872NS
21x24	530x610	8	3.6	2124BR	2124NC	2124NK3	2124NS
21x30	530x760	9	4.1	2130BR	2130NC	2130NK3	2130NS
21x36	530x914	11	5.0	2136BR	2136NC	2136NK3	2136NS
21x42	530x1066	12	5.4	2142BR	2142NC	2142NK3	2142NS
21x48	530x1219	14	6.4	2148BR	2148NC	2148NK3	2148NS
21x54	530x1370	16	7.3	2154BR	2154NC	2154NK3	2154NS
21x60	530x1524	18	8.2	2160BR	2160NC	2160NK3	2160NS
21x72	530x1829	24	10.9	2172BR	2172NC	2172NK3	2172NS
24x24	610x610	9	4.1	2424BR	2424NC	2424NK3	2424NS
24x30	610x760	11	5.0	2430BR	2430NC	2430NK3	2430NS
24x36	610x914	13	5.9	2436BR	2436NC	2436NK3	2436NS
24x42	610x1066	15	6.8	2442BR	2442NC	2442NK3	2442NS
24x48	610x1219	16	7.3	2448BR	2448NC	2448NK3	2448NS
24x54	610x1370	19	8.6	2454BR	2454NC	2454NK3	2454NS
24x60	610x1524	21	9.5	2460BR	2460NC	2460NK3	2460NS
24x72	610x1829	26	11.8	2472BR	2472NC	2472NK3	2472NS
30x36	760x914	15	6.8		3036NC	3036NK3	3036NS
30x48	760x1219	21	9.5		3048NC	3048NK3	3048NS
30x60	760x1524	26½	11.8		3060NC	3060NK3	3060NS
30x72	760x1829	31	14.0		3072NC	3072NK3	3072NS
36x36	910x914	18	8.2		3636NC	3636NK3	3636NS
36x48	910x1219	23	10.4		3648NC	3648NK3	3648NS
36x60	910x1524	29	13.1		3660NC	3660NK3	3660NS
36x72	910x1829	34½	15.4		3672NC	3672NK3	3672NS

Note: With 14" (355mm) shelving, foot plates must be used on freestanding units; on mobile units, maximum post height is 54" (1370mm). It is not recommended to use 14" (355mm) shelving with posts higher than 74" (1880mm).

Note: The actual length of the shelves is 1/8" (3.2mm) shorter than the nominal dimension shown. The actual depth of the shelves is 1/8" (3.2mm) greater than the nominal dimension shown.

Note: Metroseal 3 is not cart-washable.

Note: Super Erecta wire shelves up to 24" (610mm) deep and 48" (1219mm) long can hold up to 800 lbs. (363kg) per shelf evenly distributed. Shelves up to 24" deep and longer than 48" (1219mm) can hold up to 600 lbs. (272kg) per shelf evenly distributed.

Note: 30" and 36" (760 and 910mm) deep Super Erecta wire shelves up to 48" (1219mm) long can hold up to 600 lbs. (272kg) per shelf evenly distributed. 30" and 36" (760 and 910mm) deep Super Erecta wire shelves longer than 48" (1219mm) can hold up to 400 lbs. (182kg) per shelf evenly distributed.

SiteSelect™ Posts

— 10.01a 10.10a

Stationary Super Erecta® SiteSelect posts are fitted with adjustable leveling bolts to compensate for uneven surfaces. Mobile posts come without leveling bolt assembly to accommodate stem casters. Special length posts are available.†

STATIONARY					
Height* (in.)	Height* (mm)	Approx. Pkd. Wt. (lbs.)	Approx. Pkd. Wt. (kg)	Cat. No. Chrome	Cat. No. Metroseal 3 with Microban®
7½	191	½	0.3	7P	7PK3
14½	370	1	0.5	13P	13PK3
27½	699	1¾	0.75	27P	27PK3
34½	875	2	0.9	33P	33PK3
54 <sup>9</sup> / <sub>16</sub>	1385	3	1.4	54P	54PK3
62 <sup>9</sup> / <sub>16</sub>	1590	3½	1.6	63P	63PK3
74 <sup>5</sup> / <sub>8</sub>	1895	4	1.8	74P	74PK3
86 <sup>5</sup> / <sub>8</sub>	2200	5	2.3	86P	86PK3
96 <sup>5</sup> / <sub>8</sub>	2454	5½	2.5	***96P	

\*Height includes leveling bolt and cap.

\*\*Stainless stationary post includes stainless leveling bolt.

\*\*\*96P should not be used on units less than 24" (610mm) deep. Consult Metro Engineering for alternate recommendations.

†Note: Special length posts are available, priced at next higher length plus a cutting charge. Post lengths to be specified as cut to a round number, ie: 74P cut to 69" (1753mm) . . . This will result in an overall post height with adjustment of 69<sup>9</sup>/<sub>8</sub>" (1762mm) to 69<sup>5</sup>/<sub>8</sub>" (1775mm).

MOBILE					
Approx. Pkd. Wt. (lbs.)	Approx. Pkd. Wt. (kg)	Cat. No. Plated	Cat. No. Metroseal 3 with Microban®	Cat. No. Stainless	
1	0.5	13UP	13UPK3	13UPS	
1¾	0.75	27UP	27UPK3	27UPS	
2	0.9	33UP	33UPK3	33UPS	
3	1.4	54UP	54UPK3	54UPS	
3½	1.6	63UP	63UPK3	63UPS	
3¾	1.7		70UPK3		
4	1.8	74UP	74UPK3	74UPS	
4.5	2.0	86UP	86UPK3	86UPS	

These posts come without leveling bolt assembly to accommodate stem casters.

Castors for mobile applications can be found on pages 50 & 51.

Indicates antimicrobial product.

Designer Color Shelving — 10.14

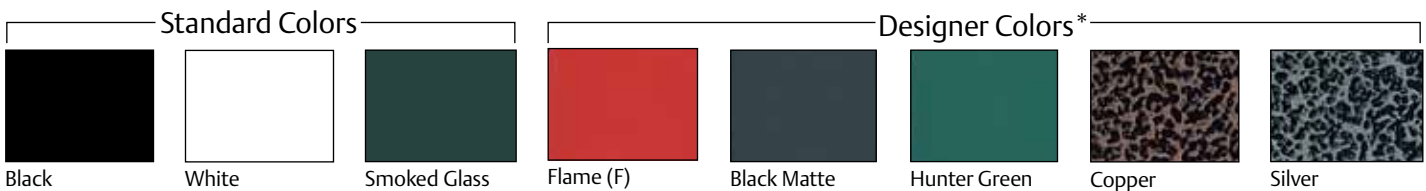
Available in a wide spectrum of colors that complement any decor.

Width/Length (in.) (mm)	Approx. Pkd. Wt. (lbs.) (kg)	STANDARD COLORS			DESIGNER COLORS			
		Cat. No. Black	Cat. No. White	Cat. No. Smoked Glass	Cat. No. Flame	Cat. No. Designer Colors*		
14x24	355x610	6	2.7	1424NBL	1424NW	1424-DSG	1424NF	1424N-D
14x30	355x760	7	3.2	1430NBL	1430NW	1430-DSG	1430NF	1430N-D
14x36	355x914	8	3.6	1436NBL	1436NW	1436-DSG	1436NF	1436N-D
14x42	355x1066	9 1/2	4.3	1442NBL	1442NW	1442-DSG	1442NF	1442N-D
14x48	355x1219	10 1/2	4.7	1448NBL	1448NW	1448-DSG	1448NF	1448N-D
14x60	355x1524	14	6.3	1460NBL	1460NW	1460-DSG	1460NF	1460N-D
14x72	355x1829	17	7.7	1472NBL	1472NW	1472-DSG	1472NF	1472N-D
18x18	457x457	6	2.7	1818NBL	1818NW	1818-DSG	1818NF	1818N-D
18x24	457x610	7	3.2	1824NBL	1824NW	1824-DSG	1824NF	1824N-D
18x30	457x760	8	3.6	1830NBL	1830NW	1830-DSG	1830NF	1830N-D
18x36	457x914	9 1/2	4.3	1836NBL	1836NW	1836-DSG	1836NF	1836N-D
18x42	457x1066	11	5.0	1842NBL	1842NW	1842-DSG	1842NF	1842N-D
18x48	457x1219	12	5.4	1848NBL	1848NW	1848-DSG	1848NF	1848N-D
18x54	457x1370	14 1/2	6.6	1854NBL	1854NW	1854-DSG	1854NF	1854N-D
18x60	457x1524	17	7.7	1860NBL	1860NW	1860-DSG	1860NF	1860N-D
18x72	457x1829	20	9.1	1872NBL	1872NW	1872-DSG	1872NF	1872N-D
21x24	530x610	8	3.6	2124NBL	2124NW	2124-DSG	2124NF	2124N-D
21x30	530x760	9	4.1	2130NBL	2130NW	2130-DSG	2130NF	2130N-D
21x36	530x914	11	5.0	2136NBL	2136NW	2136-DSG	2136NF	2136N-D
21x42	530x1066	12	5.4	2142NBL	2142NW	2142-DSG	2142NF	2142N-D
21x48	530x1219	14	6.4	2148NBL	2148NW	2148-DSG	2148NF	2148N-D
21x54	530x1370	16	7.3	2154NBL	2154NW	2154-DSG	2154NF	2154N-D
21x60	530x1524	18	8.2	2160NBL	2160NW	2160-DSG	2160NF	2160N-D
21x72	530x1829	24	10.9	2172NBL	2172NW	2172-DSG	2172NF	2172N-D
24x24	610x610	9	4.1	2424NBL	2424NW	2424-DSG	2424NF	2424N-D
24x30	610x760	11	5.0	2430NBL	2430NW	2430-DSG	2430NF	2430N-D
24x36	610x914	13	5.9	2436NBL	2436NW	2436-DSG	2436NF	2436N-D
24x42	610x1066	15	6.8	2442NBL	2442NW	2442-DSG	2442NF	2442N-D
24x48	610x1219	16	7.3	2448NBL	2448NW	2448-DSG	2448NF	2448N-D
24x54	610x1370	19	8.6	2454NBL	2454NW	2454-DSG	2454NF	2454N-D
24x60	610x1524	21	9.5	2460NBL	2460NW	2460-DSG	2460NF	2460N-D
24x72	610x1829	26	11.8	2472NBL	2472NW	2472-DSG	2472NF	2472N-D

Note: White epoxy Super Erecta shelves come with white split sleeves.  
 Note: All Black, Smoked Glass and Designer Super Erecta shelves come with black split sleeves.  
 Note: Black shelving is NSF listed. White, Smoked Glass, and Designer Colors are not NSF listed.

Posts — 10.14

Height* (in.) (mm)	Approx. Pkd. Wt. (lbs.) (kg)	STATIONARY				MOBILE (FOR STEM CASTERS)							
		Cat. No. Black	Cat. No. White	Cat. No. Smoked Glass	Cat. No. Flame	Cat. No. Designer Colors*	Cat. No. Black	Cat. No. White	Cat. No. Smoked Glass	Cat. No. Flame	Cat. No. Designer Colors*		
7 1/2	191	1/2	0.3	7PBL	7PW	7P-DSG	7PF	7P-D	—	—	—	—	—
14 1/2	370	1	0.5	13PBL	13PW	13P-DSG	13PF	13P-D	—	—	—	—	—
27 1/2	699	1 3/4	0.75	27PBL	27PW	27P-DSG	27PF	27P-D	—	—	—	—	—
34 1/2	875	2	0.9	33PBL	33PW	33P-DSG	33PF	33P-D	—	—	—	—	—
54 9/16	1385	3	1.4	54PBL	54PW	54P-DSG	54PF	54P-D	—	—	—	—	—
62 9/16	1590	3 1/2	1.6	63PBL	63PW	63P-DSG	63PF	63P-D	—	—	—	—	—
74 5/8	1895	4	1.8	74PBL	74PW	74P-DSG	74PF	74P-D	—	—	—	—	—
86 5/8	2200	5	2.3	86PBL	86PW	86P-DSG	86PF	86P-D	—	—	—	—	—
1 3/4	0.75	27UPBL	27UPW	27UP-DSG	27UPF	27UP-D	—	—	—	—	—	—	—
2	0.9	33UPBL	33UPW	33UP-DSG	33UPF	33UP-D	—	—	—	—	—	—	—
3	1.4	54UPBL	54UPW	54UP-DSG	54UPF	54UP-D	—	—	—	—	—	—	—
3 1/2	1.6	63UPBL	63UPW	63UP-DSG	63UPF	63UP-D	—	—	—	—	—	—	—
4	1.8	74UPBL	74UPW	74UP-DSG	74UPF	74UP-D	—	—	—	—	—	—	—
4.5	2.0	86UPBL	86UPW	86UP-DSG	86UPF	86UP-D	—	—	—	—	—	—	—



\*For Designer Colors: BM, HG, CH, SH  
 \*To order a Designer Color, add the appropriate color suffix to the desired catalog numbers above.  
 Example: 18" x 36" (457 x 914mm) Hunter Green Shelf = 1836N-DHG  
 74" (1880mm) stationary Hunter Green Post = 74P-DHG.

**Post Boots with \*Microban®  
Product Protection — 10.06**

Patent Pending.  
Seals out moisture and protects the post from corrosion in areas where floors are mopped regularly. Easily slips over the bottom 5" (127mm) of a stationary post. Built-in Microban antimicrobial. Use with standard leveling bolt or foot plates.  
Bags of 4.  
Cat. No. **9982GR-4**



**Foot Plates — 10.06**

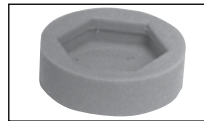
Use to bolt units to the floor, or when a broader, more stable foot is desired.  
Zinc. Cat. No. **9993Z**  
List Price 12.90 each  
Stainless Steel.  
Cat. No. **9993S**



Black. Cat. No. **9993BL**

**Glides — 10.06**

Smooth polymer cover fits over leveling bolt to protect floors.  
Cat. No. **9991P**



**Decorative Leveling Foot — 10.06**

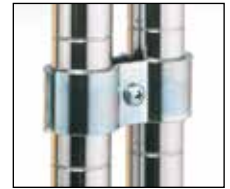
Decorative alternative for post. Compensates for uneven surfaces.  
Chrome. Cat. No. **HDFC**



Black. Cat. No. **HDFB**

**Post Clamps — 10.06**

Joins units together for maximum strength.  
Zinc-plated. Cat. No. **9994Z**  
Black. Cat. No. **9994BL**



**Aluminum Split Sleeves — 10.06**

For high temperature, over the road, or conductive applications. Zinc or stainless steel retainer rings available to secure shelf. One bag required per shelf; 4 pairs per bag.



	Cat. No.
Aluminum Split Sleeves with Zinc Rings	<b>9986Z</b>
Aluminum Split Sleeves with Stainless Rings	<b>9986S</b>

**Replacement Plastic Split Sleeves — 10.06**

One bag required per shelf;  
4 pairs per bag.



Black Split Sleeve      White Split Sleeve

	Cat. No.
Black Plastic Split Sleeves	<b>9985</b>
White Plastic Split Sleeves	<b>9985W</b>

Note: White post caps and white split sleeves are standard with white designer shelving only.

**Replacement Super Adjustable Kit**

Package includes 4 wedges, 4 sleeves, and 4 corner releases.  
Cat. No. **SAKITA2**



**Basket Shelf — 10.04**

3 1/2" (89mm) deep basket with 400 lb. (182kg) weight capacity. Ideal for containing and displaying smaller items.

(in.)	Size (mm)	Cat. No. Chrome	Cat. No. Black
14x36	355x914	—	<b>DD3448A</b>
14x48	355x1219	—	<b>DD3448B</b>
18x36	457x914	<b>CC9744A</b>	<b>CC9744C</b>
18x48	457x1219	<b>CC9744</b>	<b>CC9744B</b>



Basket Shelf  
(Posts sold separately, see page 42)

\*MICROBAN® and the MICROBAN® symbol are registered trademarks of the Microban Products Company, Huntersville, NC.



# Shelving and Shopping Cart Casters

## Metro Stem Casters

wheel diameter (inches)	tread width (inches)	overall height (inches)	bearing type	dynamic load (pounds)	swivel or rigid	part number
5	1-1/4	6-3/32	delrin	300	swivel	02XB05031S011
5	1-1/4	6-3/32	delrin	300	swivel	02XB05031S012
6	1-1/4	7-1/16	delrin	300	swivel	6-S34-314G
6	1-1/4	7-1/16	delrin	300	swivel	6-S34-314G w/ brake

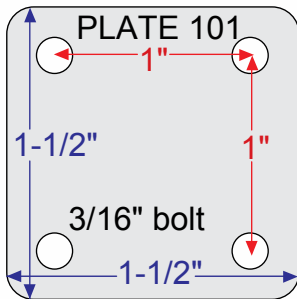
## Shopping Cart Casters

wheel diameter (inches)	tread width (inches)	overall height (inches)	bearing type	dynamic load (pounds)	swivel or rigid	part number
5	1-1/4	5-7/8	precision ball	250	swivel	GAR-5-203A
5	1-1/4	5-7/8	precision ball	250	swivel	77679E

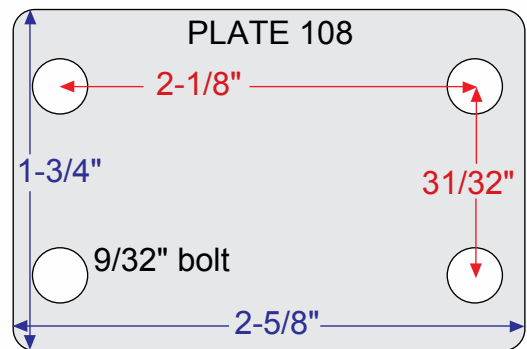


# Fastenings

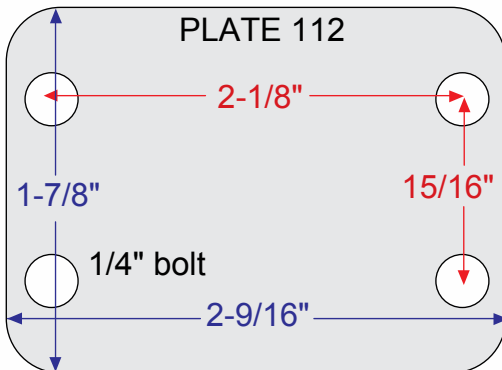
## Actual Size



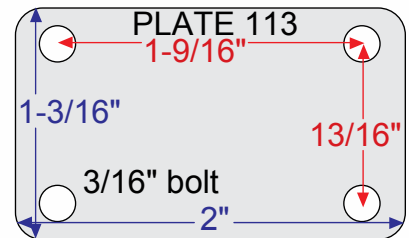
Ball, Softech, Ultima, Pacer, Source II, Genesis TW



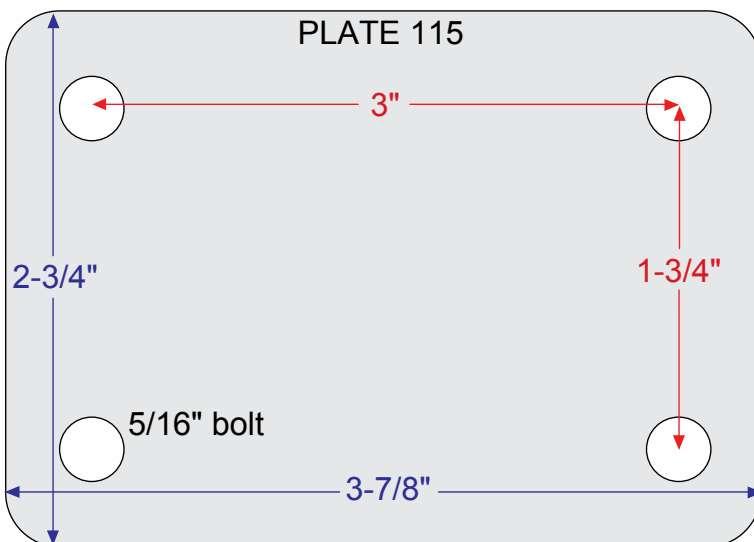
Regent, Monarch



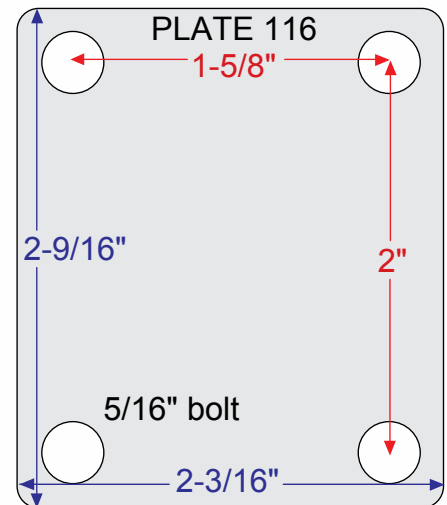
General Duty



Regent, Monarch, Baron, Ball, Pacer Source II

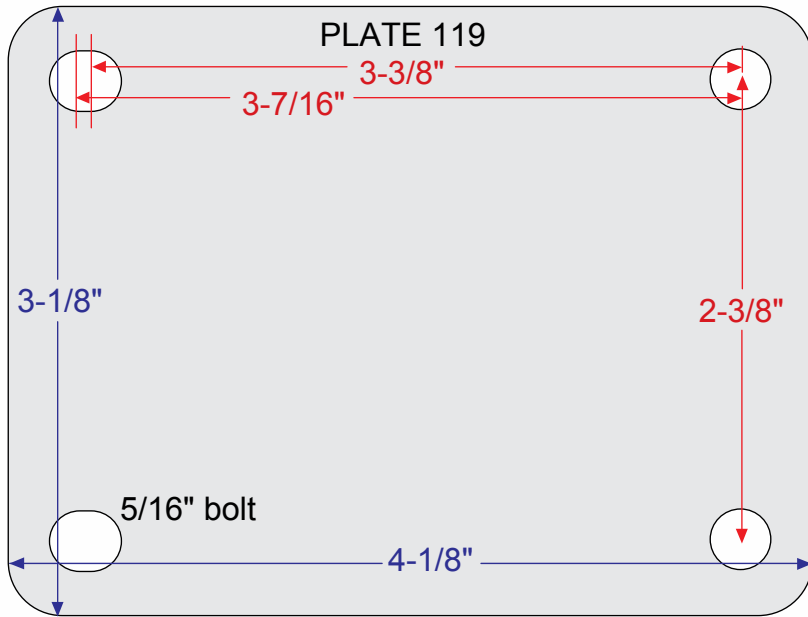


General Duty

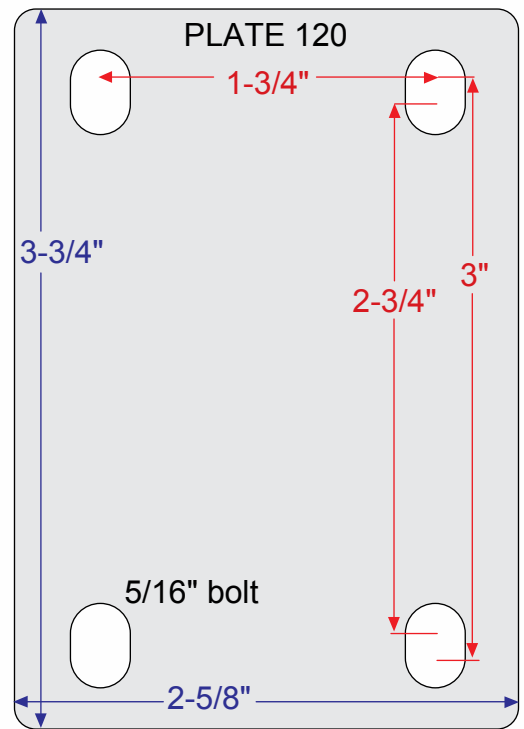


Softech, Ultima

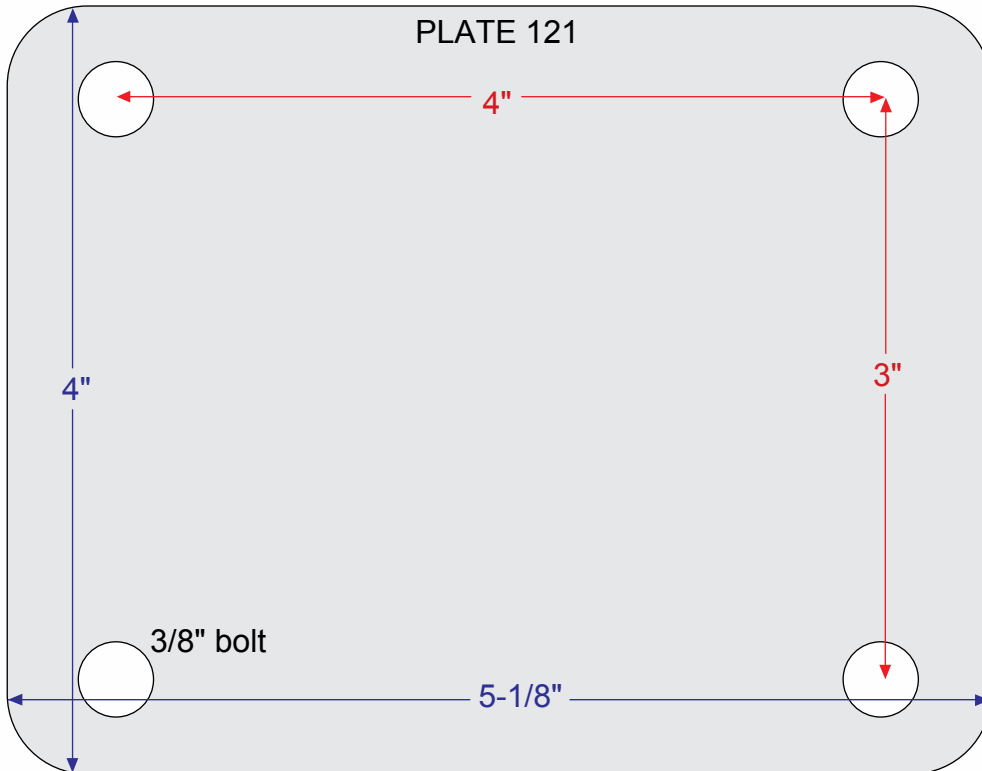




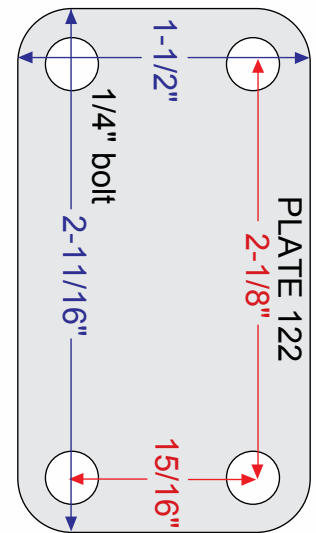
General Duty



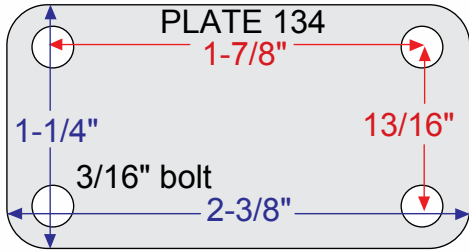
Regent, Institutional, 00, Genesis, Softech, Ultima



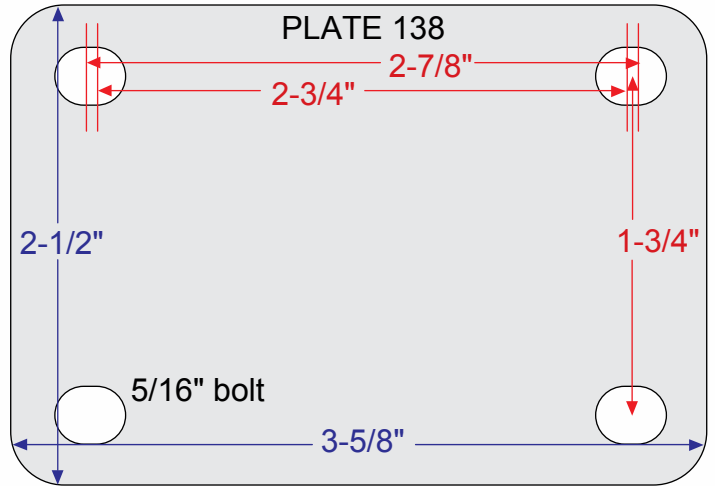
General Duty



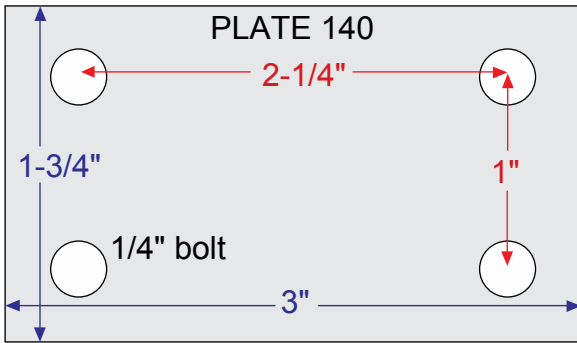
General Duty



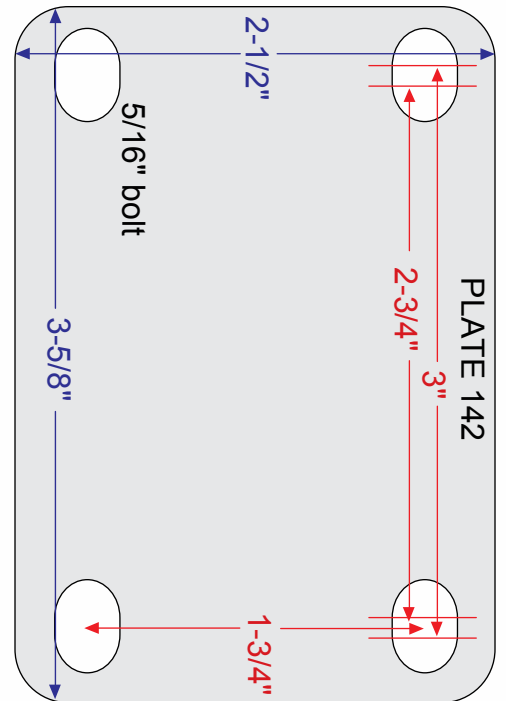
Omega



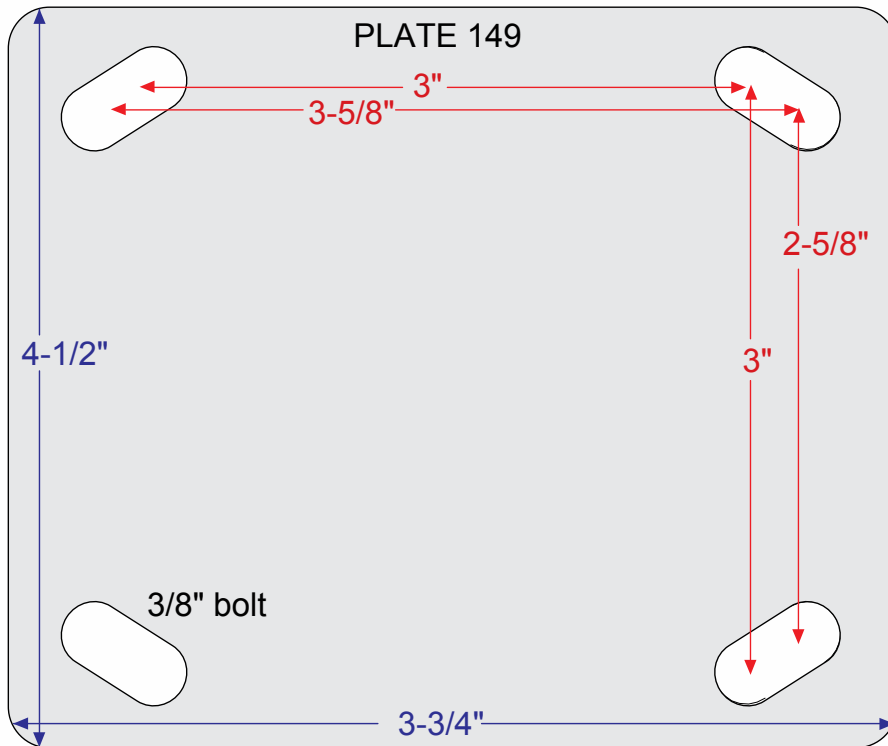
BLS/BMS



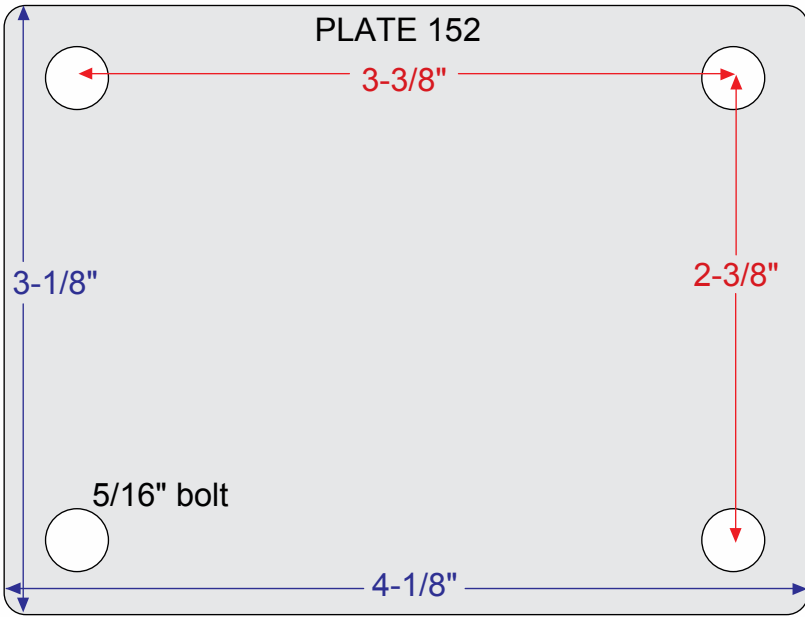
RS/RT



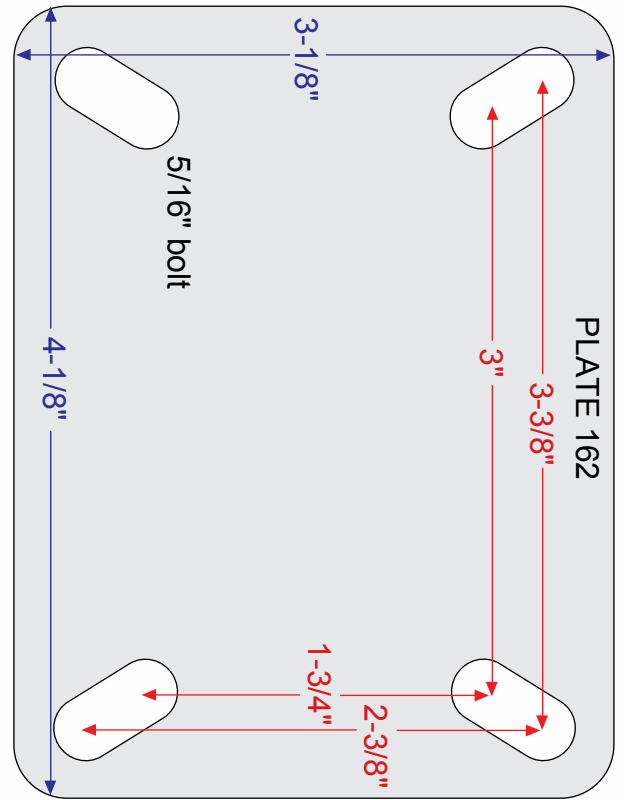
BDS/BDR



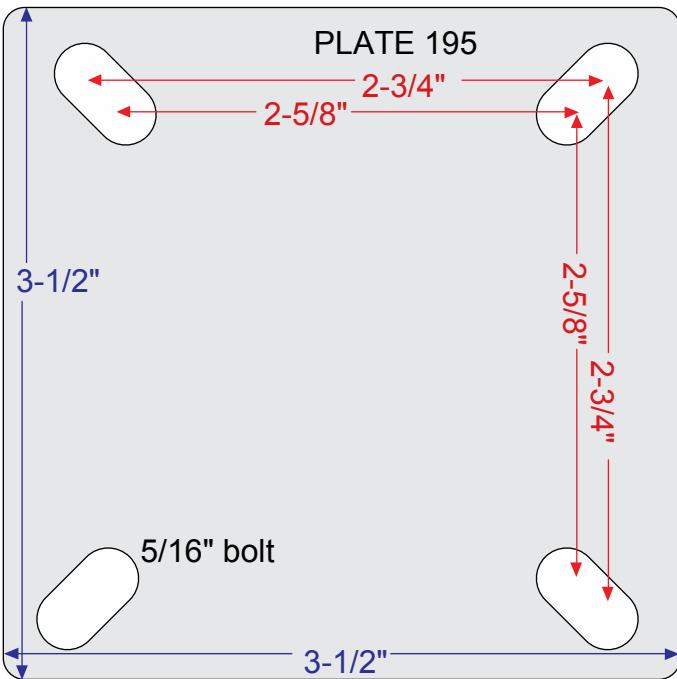
Institutional



BLS/BMS



Institutional



Institutional



**419**  
7/16" dia.  
x 1-7/8"



**242**  
7/16" dia.  
x 1-7/8"



**211**  
7/16" dia.  
x 1-7/16"



**291**  
7/16" dia.  
x 1-1/4"



**223**  
7/16" dia. x  
7/8"



**222**  
3/8" dia. x  
1"

### Plain Stem



### Grip Ring Stem



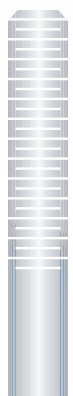
### STEM FASTENING IDENTIFICATION GUIDE

Match fastening to corresponding illustration. Replacement grip ring stems can be slightly shorter than original stem and still be suitable. A rounded or squared stem head has no effect on fit. **All fastenings shown are actual size.**

### Threaded Stem



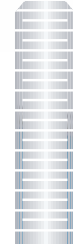
**512**  
5/16" dia.  
UNC18 x  
2"



**500**  
5/16" dia.  
UNC18 x  
1-1/2"



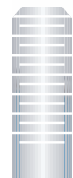
**526**  
5/16" dia.  
UNC18 x  
1-1/4"



**507**  
5/16" dia.  
UNC18 x  
1"



**545**  
5/16" dia.  
UNC18 x  
7/8"



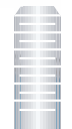
**532**  
5/16" dia.  
UNC18 x  
3/4"



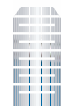
**525**  
5/16" dia.  
UNC18 x  
1/2"



**828**  
1/4" dia.  
UNF20 x  
5/8"

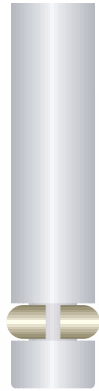


**844**  
1/4" dia.  
UNF20 x  
1/2"





**273**  
7/16" dia.  
x 1-3/8"  
brass band



**204**  
7/16" dia. x 2"  
brass band

**Grip Ring Brass  
Band Stem**



**302**  
5/16" dia.  
x 1-1/2"

**Grip Neck  
Stem**



**Threaded Stem  
Continued**



**639**  
3/8" dia.  
UNF24 x  
5/8"

**637**  
3/8" dia.  
UNC16 x  
3/4"

**634**  
3/8" dia.  
UNC16 x  
1"

**605**  
3/8" dia.  
UNC16 x  
1-1/2"

**800**  
7/16" dia.  
UNC14 x  
1-1/2"

**806**  
7/16" dia.  
UNC14 x  
2-1/4"

**741**  
1/2" dia.  
UNC13 x  
1"

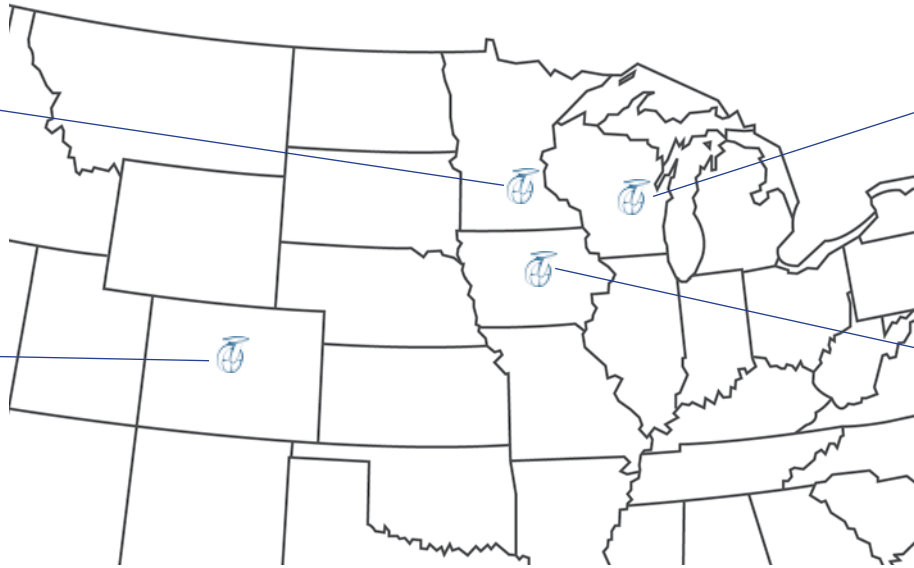
**748**  
1/2" dia.  
UNC13 x  
1-1/2"

**824**  
5/8" dia.  
UNC11 x  
1-3/4"

**825**  
3/4" dia.  
UNC10 x  
1-1/2"

2501 26<sup>th</sup> Ave S  
Minneapolis, MN 55406  
612.333.3469  
800.809.7888  
Headquarters

4900 East 39<sup>th</sup> Ave  
Denver, CO 80207  
303.388.1276  
877.388.1276



1450 Radisson St  
Green Bay, WI 54302  
920.432.2928  
800.472.2118

1335 NE 50<sup>th</sup> Ave  
Des Moines, IA 50313  
515.244.7276  
800.728.3866

Over 5000 manufacturers within your reach – Call us for all your material handling needs



Bulk Bins



Pallet Jacks



Drum Cradles



Carts



Machine Movers



Rubbermaid



Tilt Trucks